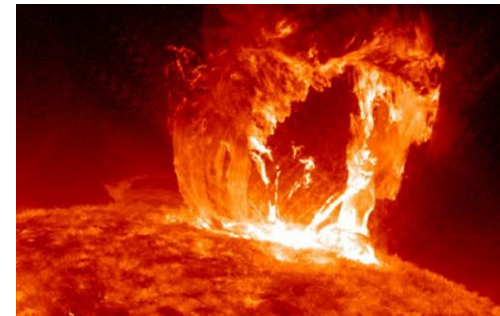
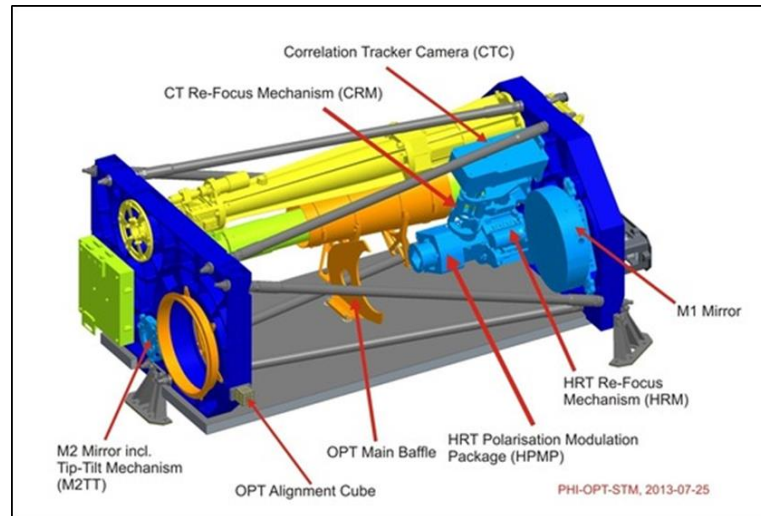
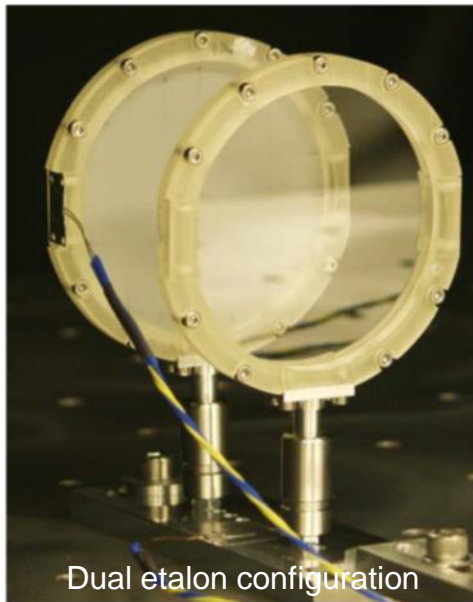


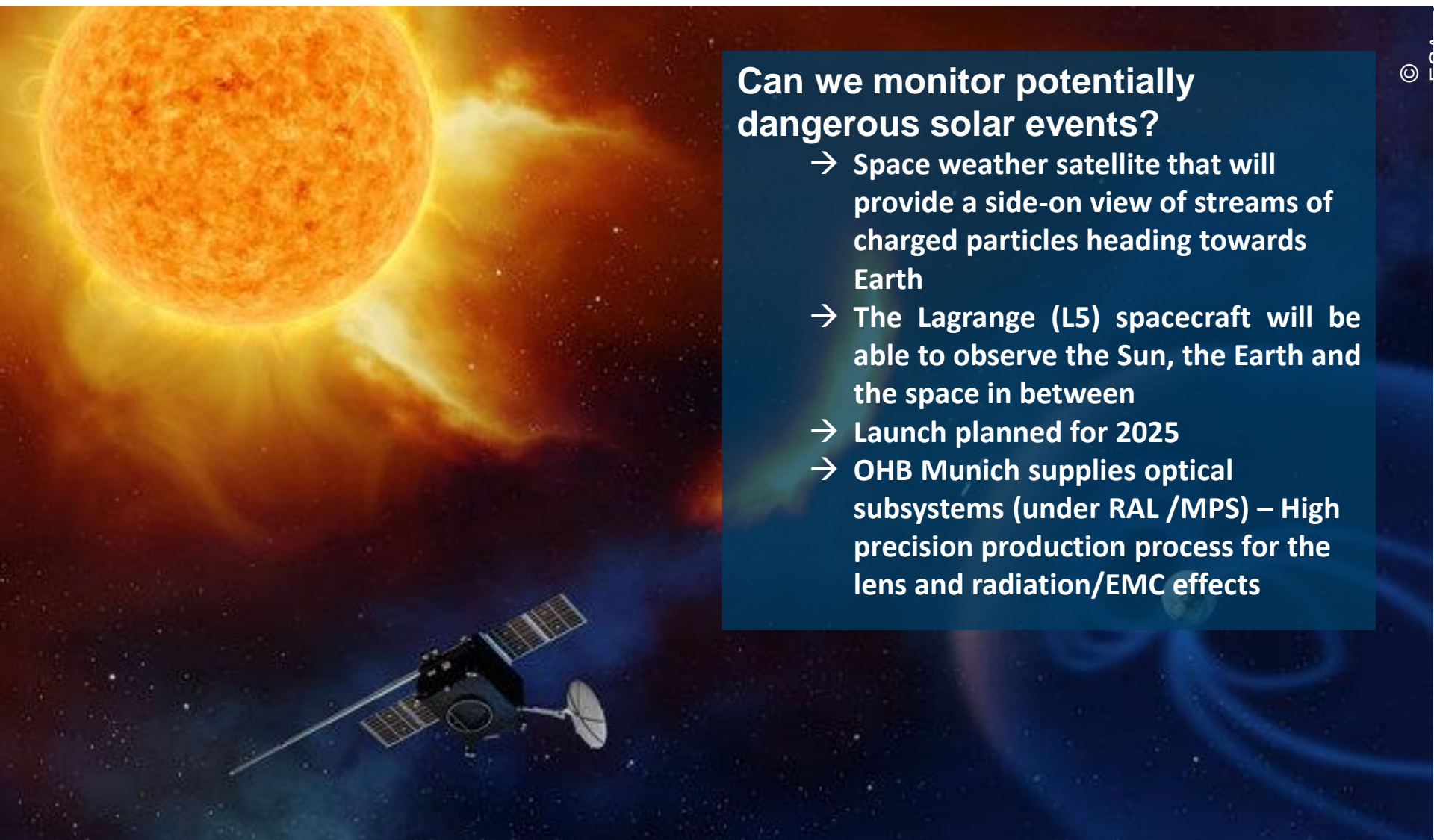
P3-LGR-II - Lagrange Missions Remote sensing instruments



SPACE SYSTEMS

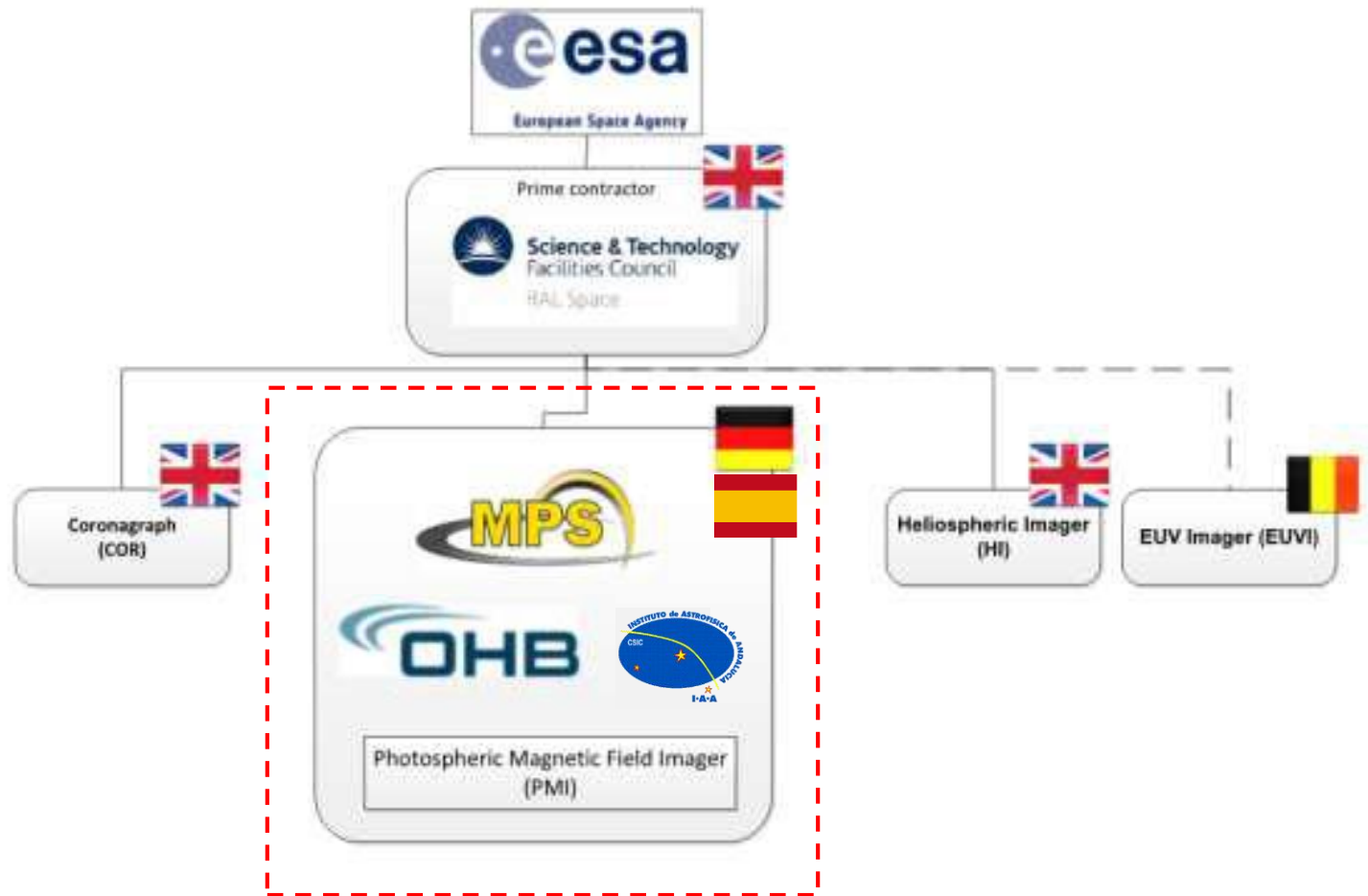
Overview of OHB Activities in Photospheric Magnetic Field Imager (PMI) Instrument

We. Create. Space.

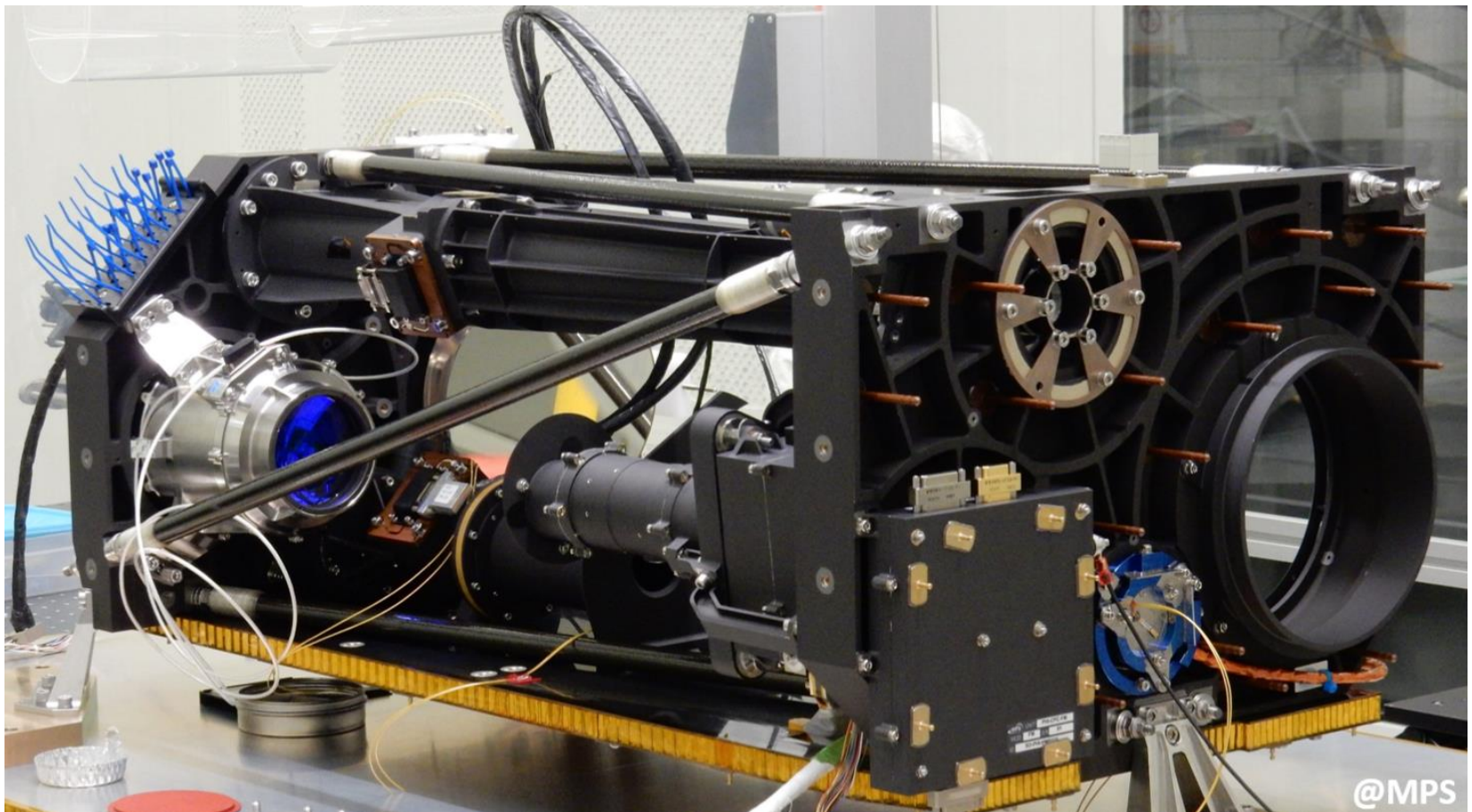


Can we monitor potentially dangerous solar events?

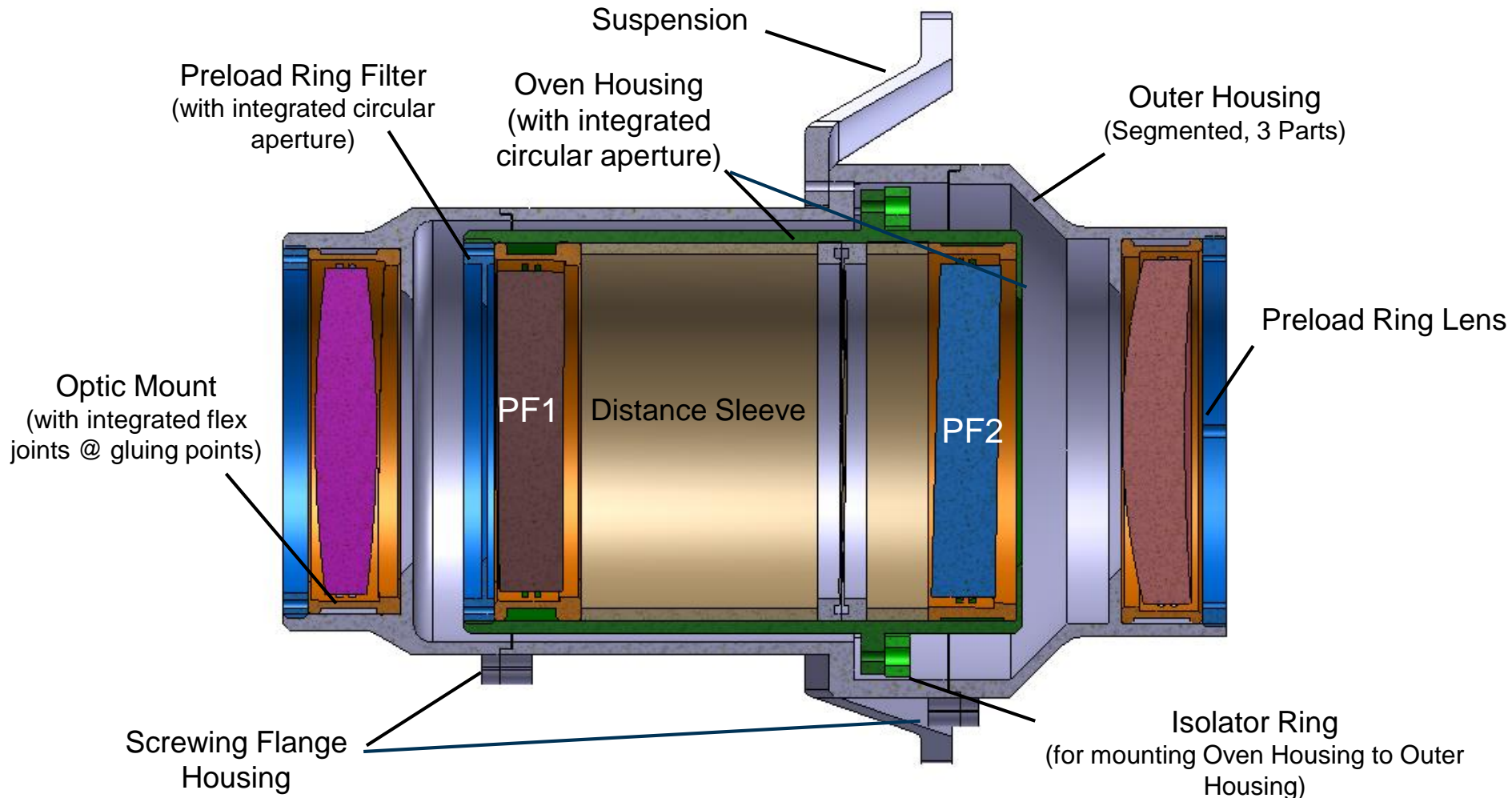
- Space weather satellite that will provide a side-on view of streams of charged particles heading towards Earth
- The Lagrange (L5) spacecraft will be able to observe the Sun, the Earth and the space in between
- Launch planned for 2025
- OH B Munich supplies optical subsystems (under RAL /MPS) – High precision production process for the lens and radiation/EMC effects



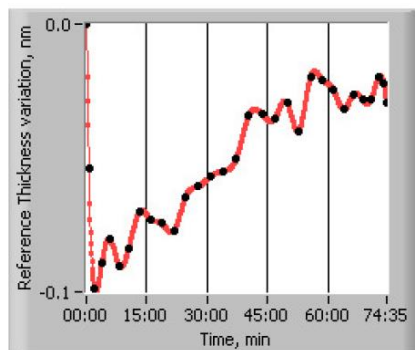
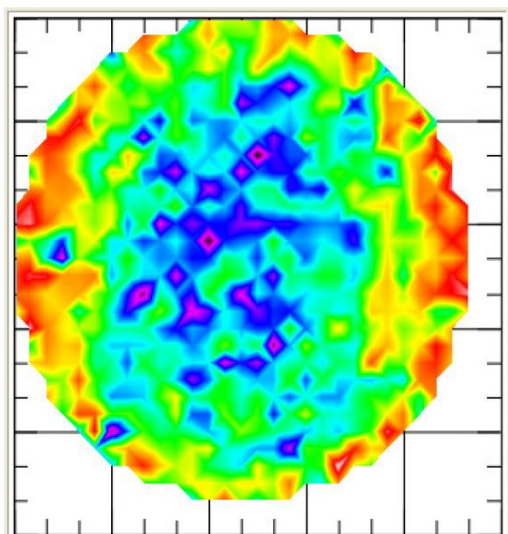
PHI Design (Solar Orbiter)



Filtergraph: First Design Draft / Section View

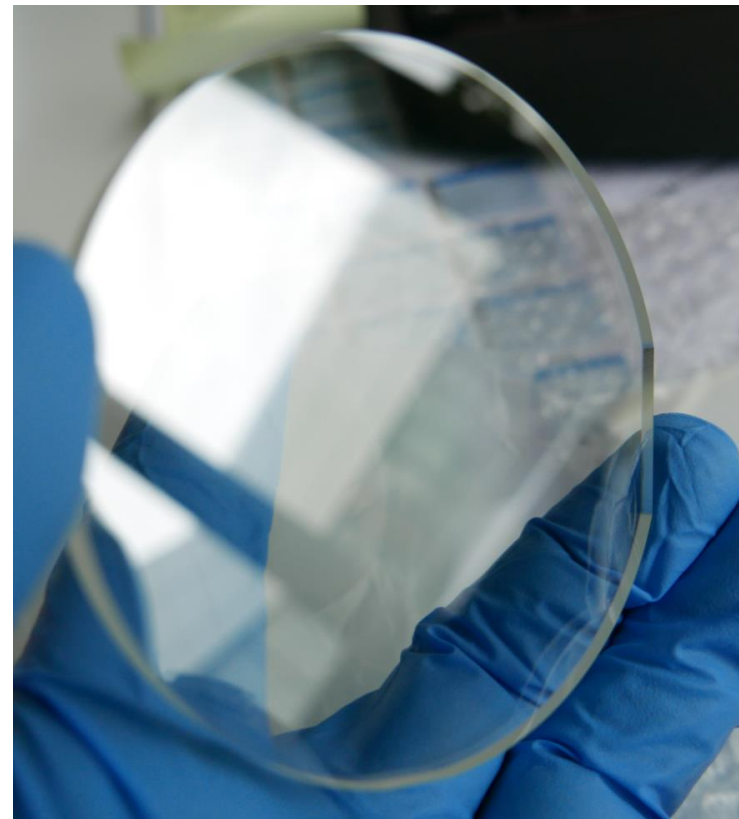


Etalon Pre-Development

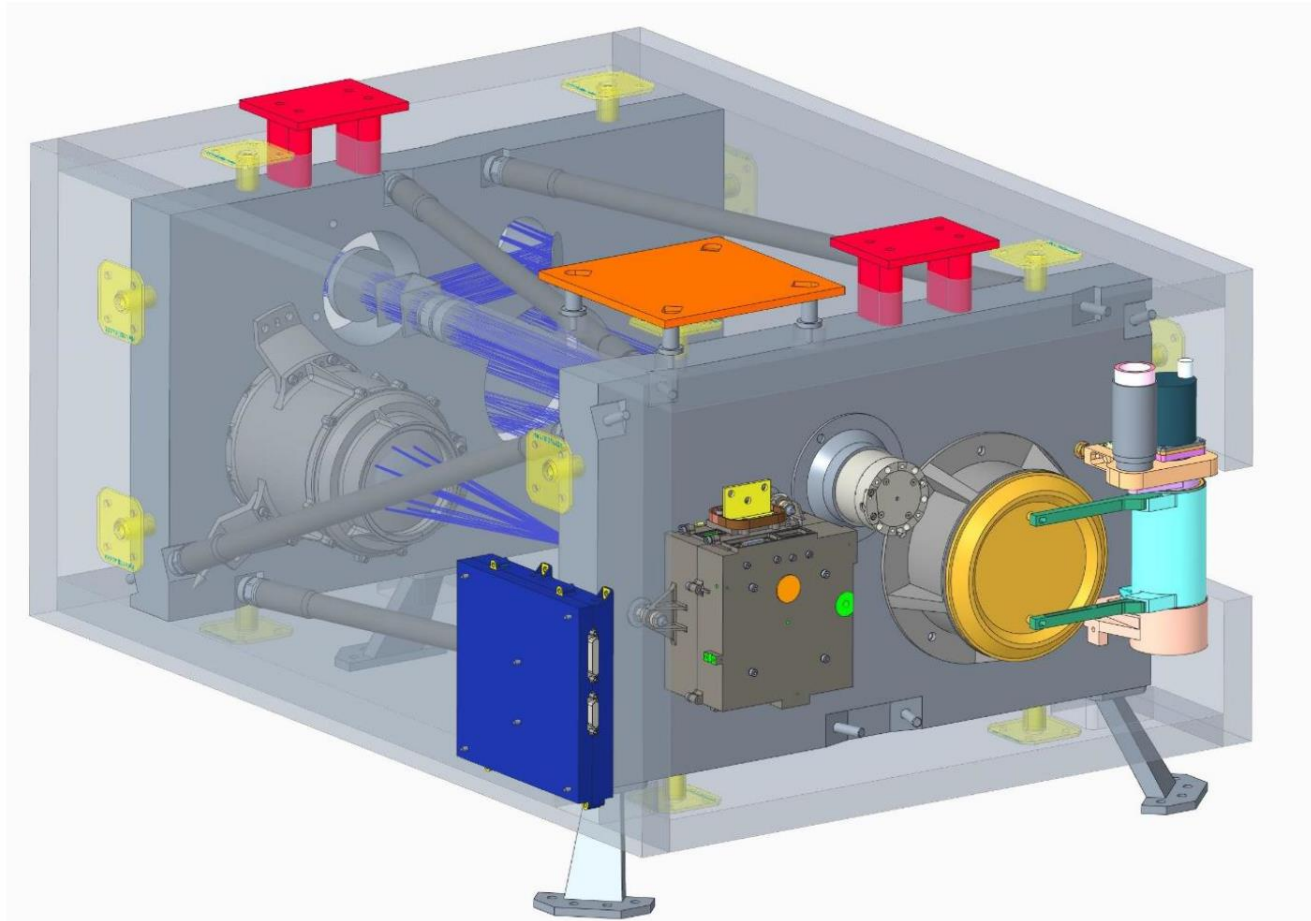


Mapping data saved at: W:\WO88247\1 LiNbO3 - 3, FJP2, 58mm.txt

Sample Results



Structural and Thermal Analysis of PMI Structure



PMI Optical Units