

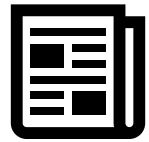


COSY - Cost Engineering application

Noordwijk, NL – SCEC 2022

Massimo Magazzu'





Introduction

- **Data** are a strong *asset* to perform the Cost Engineering activities;
- In order to exploit them, the data shall be **extracted, stored and visualized.**



Objectives

- **Overcome** the difficulties to extract financial data;
- **Merge** financial data with Technical and programmatic data;
- Having a **Data Model** which could be “extended”;
- **Visualize** the data and possible results to the users.

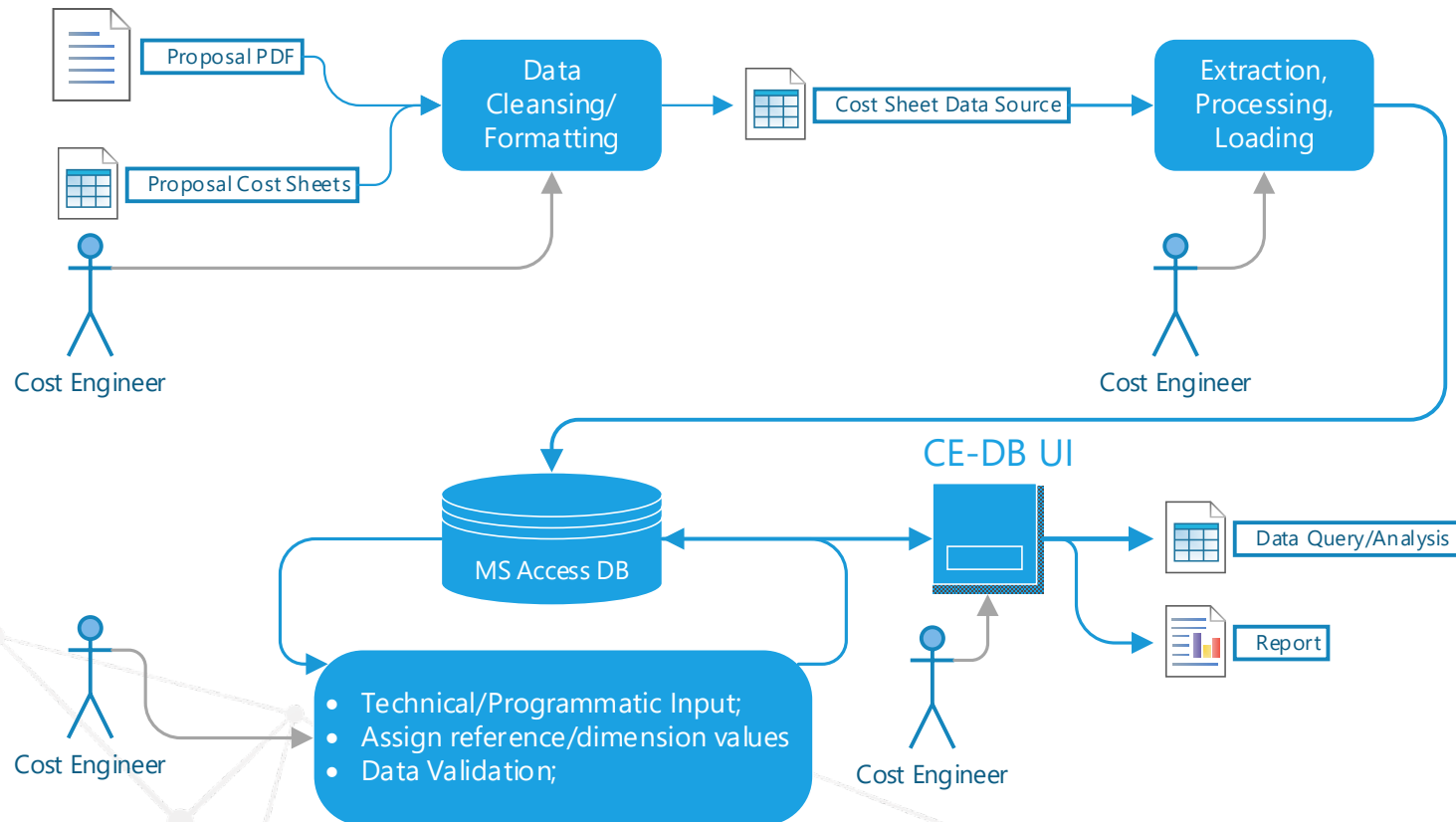


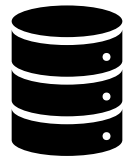
Solution proposed

- Creation of a **Process** – Items, Phases and Actors
- Defining a **Star Schema** data model
- Development of a **Software** application and few software tools



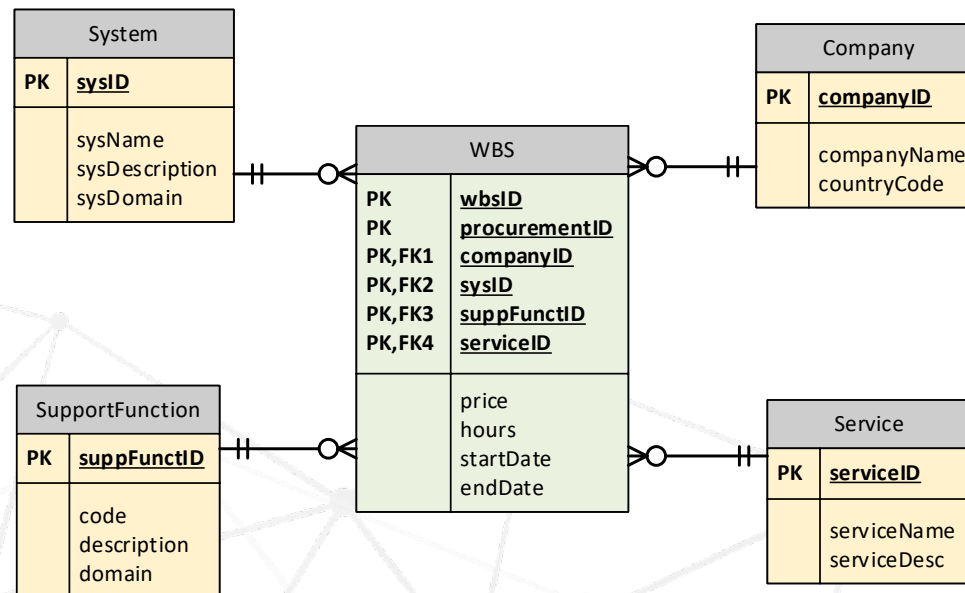
Process - workflow

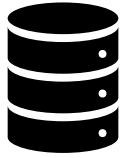




Data Model (1 of 2)

- What are the prices of a **System** produced by a **company**?
- What are the costs for **Operations** for a **Science** project?

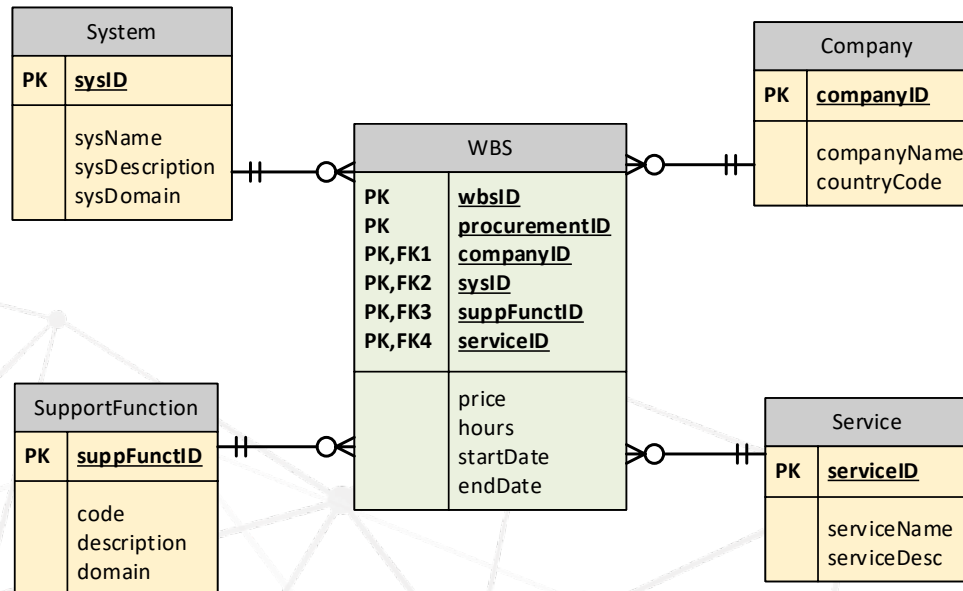




Data Model (2 of 2)

Answering to those questions using a **Star Schema**:

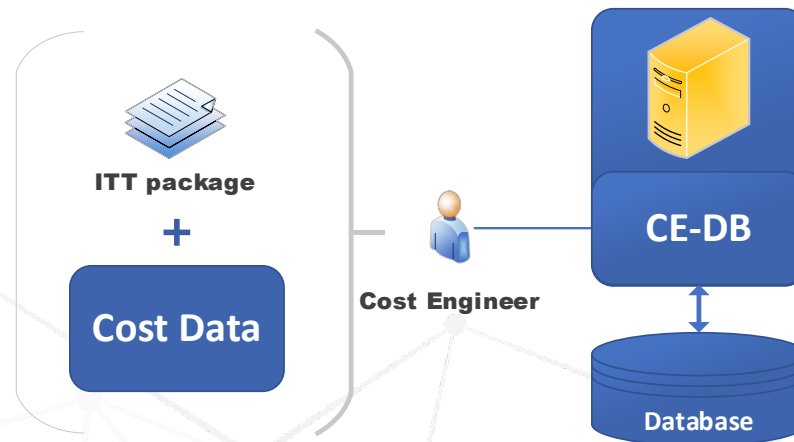
- **Facts:** measurable, quantitative data – Hours/Prices
- **Dimension:** descriptive attributes – products, parameters, contracts, companies





Extraction and Loading

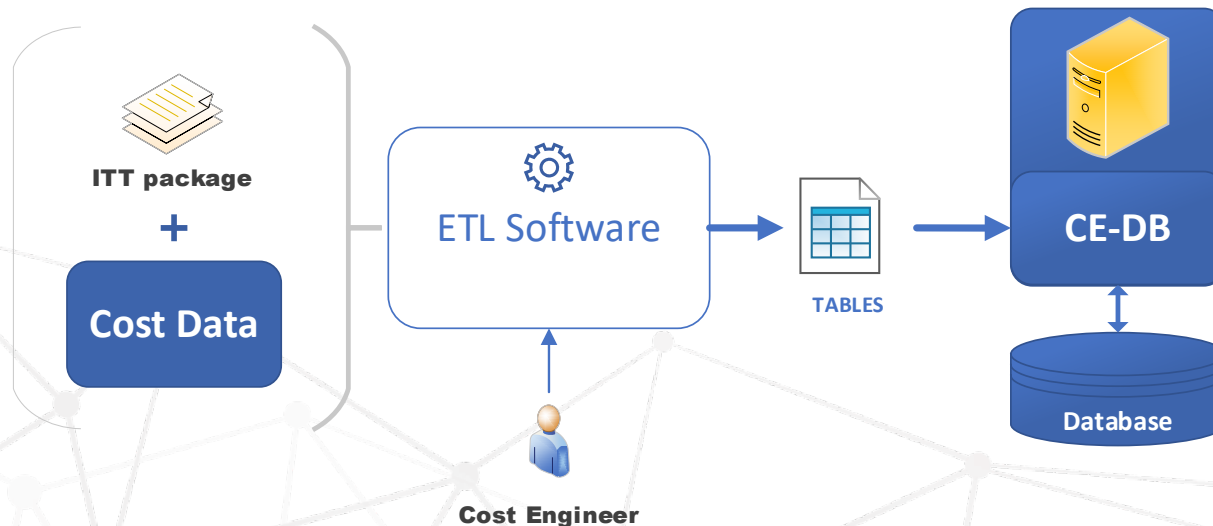
- **Data Source:** Financial Proposals – Cost Sheets;
- **Extraction:** Parsing the Cost Sheets to extract the data;
- **Loading:** Creation of a set of Tables to be imported.





ETL software tool

- An **ETL software** tool which:
 - Read and parse the Cost Sheets;
 - Create data tables (same columns of the data model) to be imported into COSY

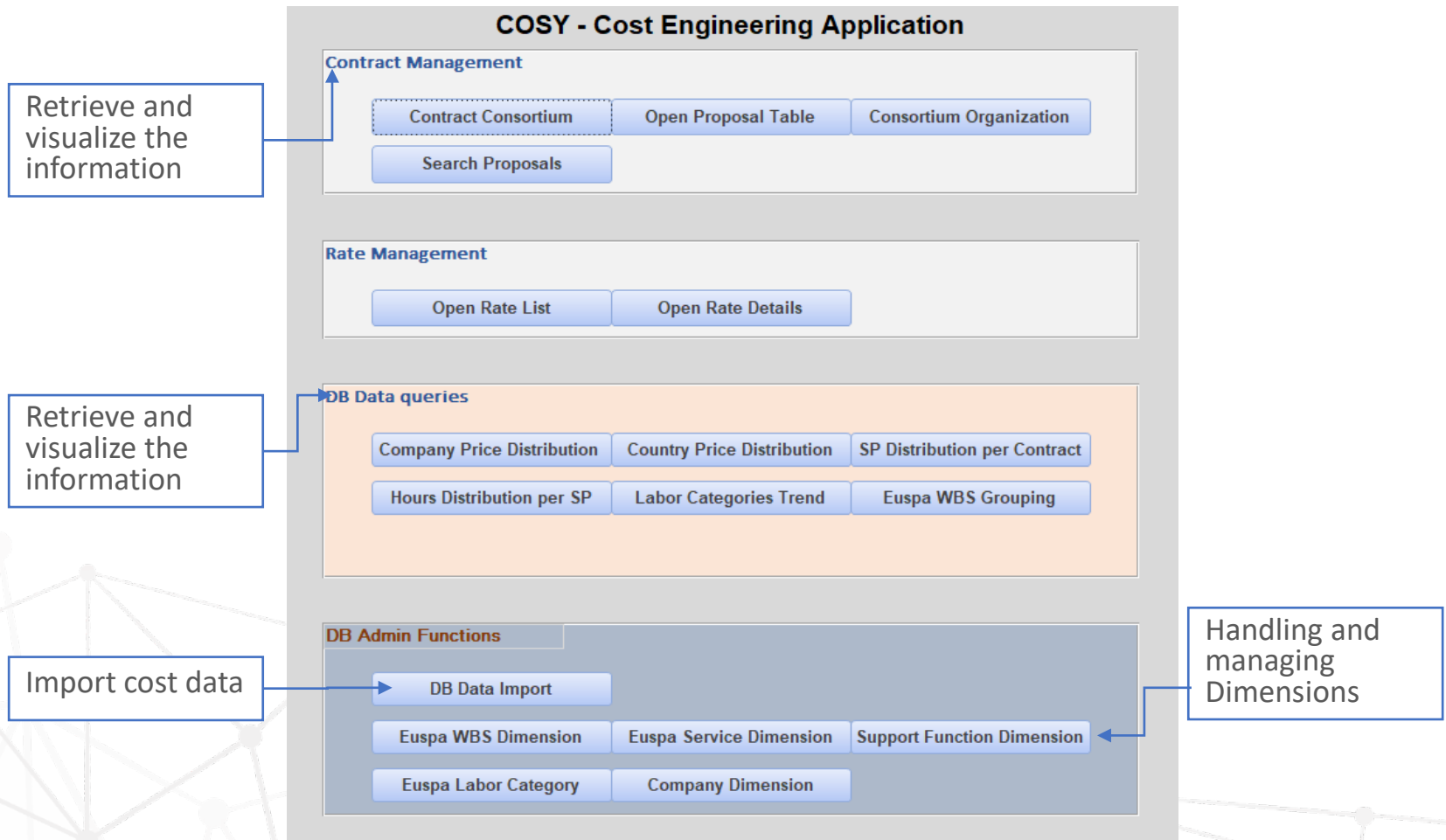


COSY software (1 of 3)

A software application where the User shall:





- **Import** cost data (tables from ETL)
- **Adding** technical and/or programmatic information (Update/Insert through UI)
- **Storing** the data in compliance with the data model
- Handling and **managing** Dimensions (e.g. a new Company to be added)
- **Retrieve** and **visualize** the information (through UI)
- **Export** some stored information for further analysis

COSY software (2 of 3)



COSY software (3 of 3)

Adding technical and/or programmatic information

WBS NODE Details			
Proposal ID	GSA-NP-02-19 GEO4 Baseline		
Company ID	Eutelsat S.A.		
EUSPA WBS Code	11		
WBS Parent Code	root		
Service Code	Provision		
Support Function	ADA		
Econ.Condition(year)	2020		
Contractual Phase	Baseline		
Bidder WP code	1.1.1		
WP Starting Date	14/01/2021	WP Ending Date	01/12/2022
Work package Title	Payload Development & Satellite Integration		

? Questions





Linking space to user needs

Get in touch with us

www.euspa.europa.eu



The European Union Agency for the Space Programme is hiring!

Apply today and help shape the future of #EUSpace!