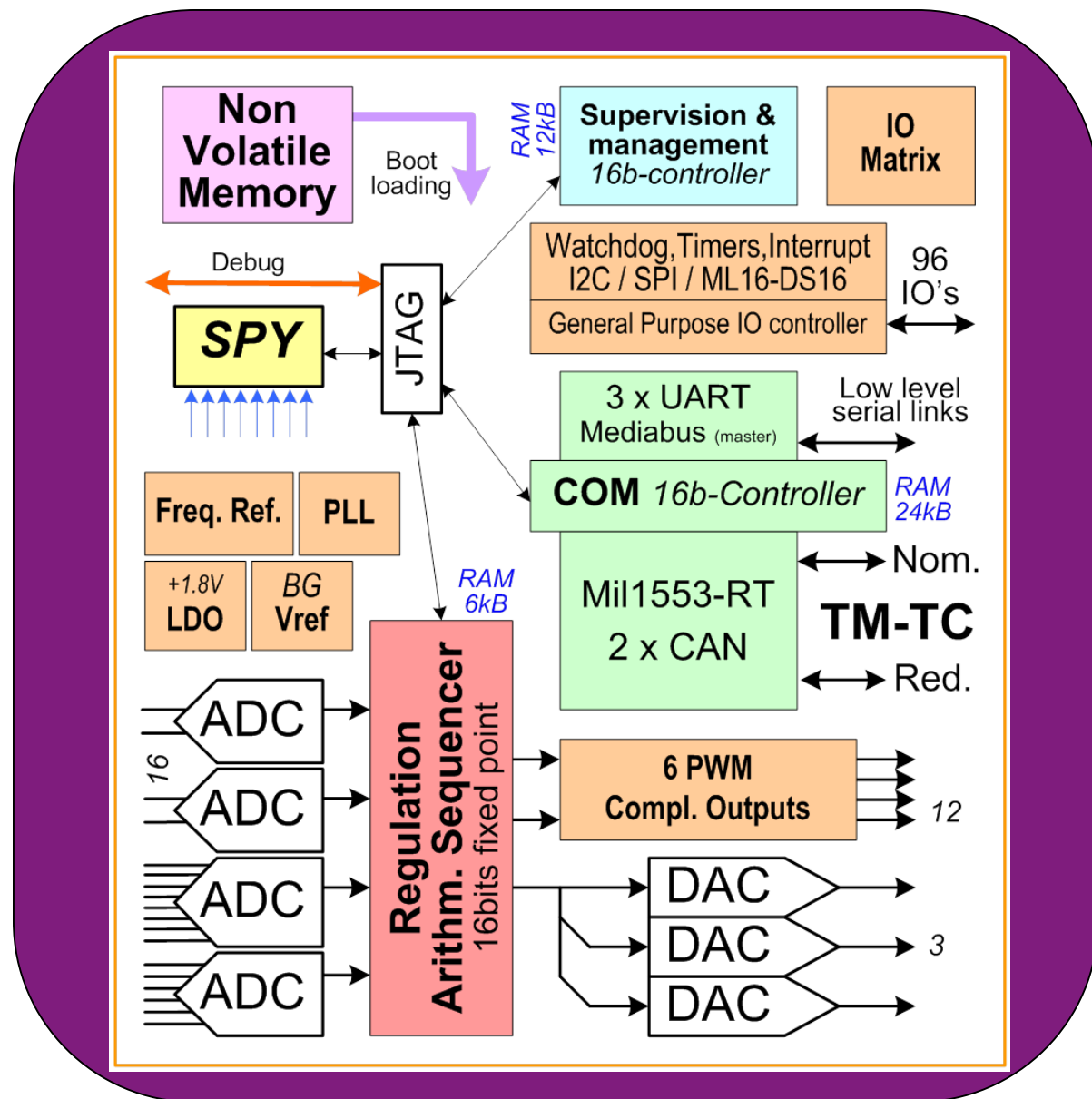
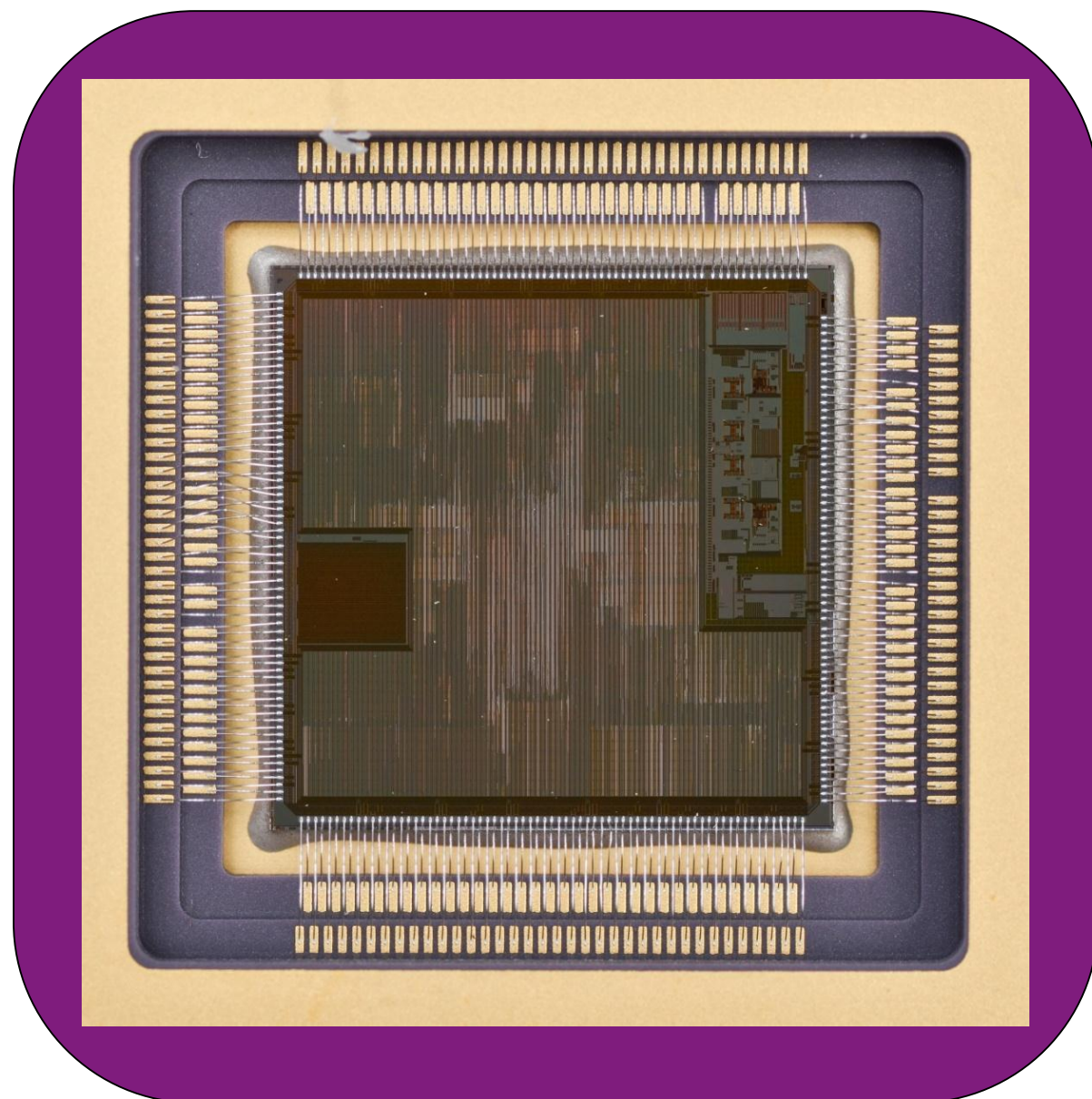


DPC



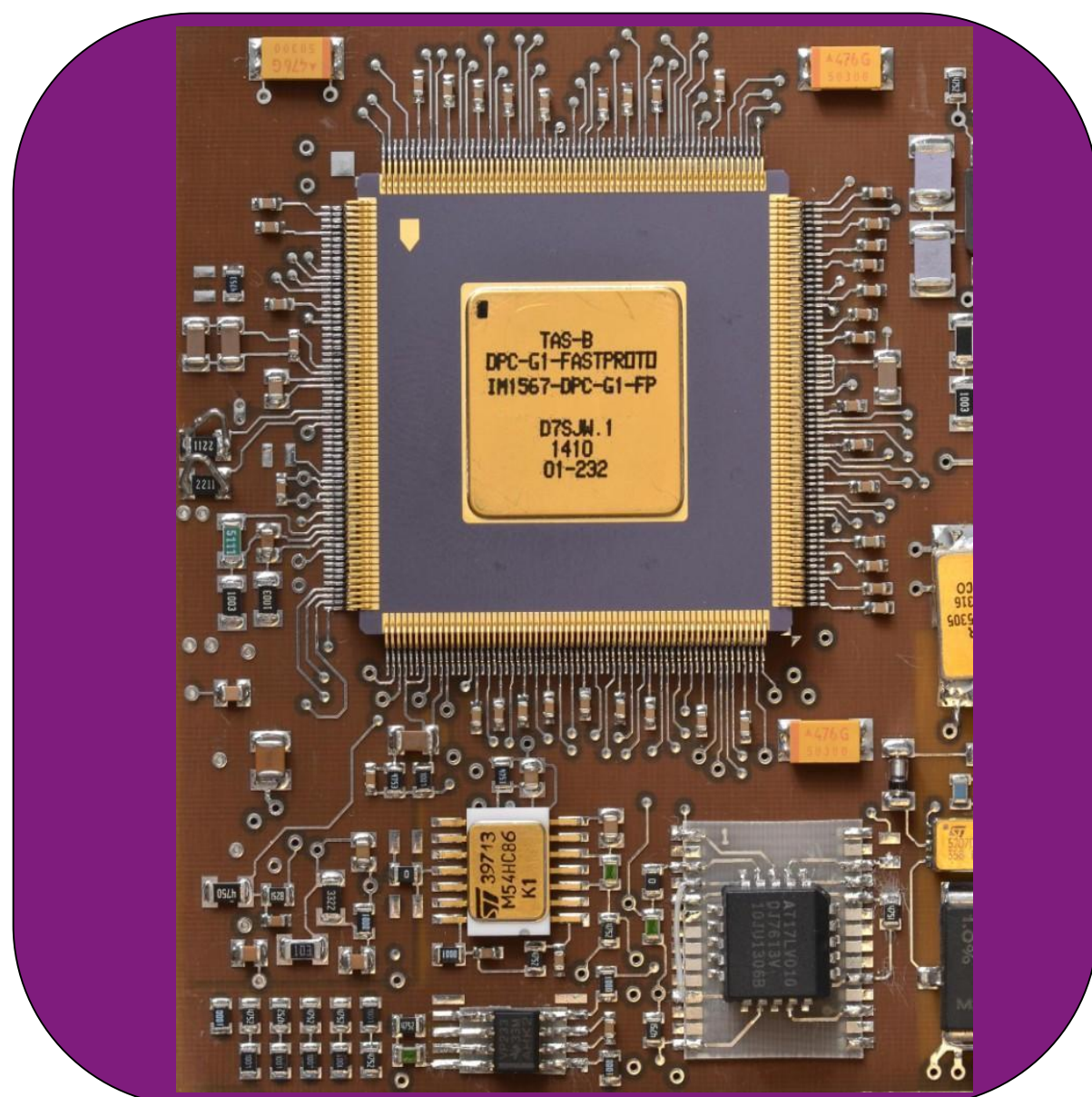
A versatile component

- One single chip replaces several functions
- Hence it must be highly flexible & configurable
- Programmable micro-controller
- Configuration: Parameters & IO usage
- Firmware & configuration are stored in a Non Volatile Memory



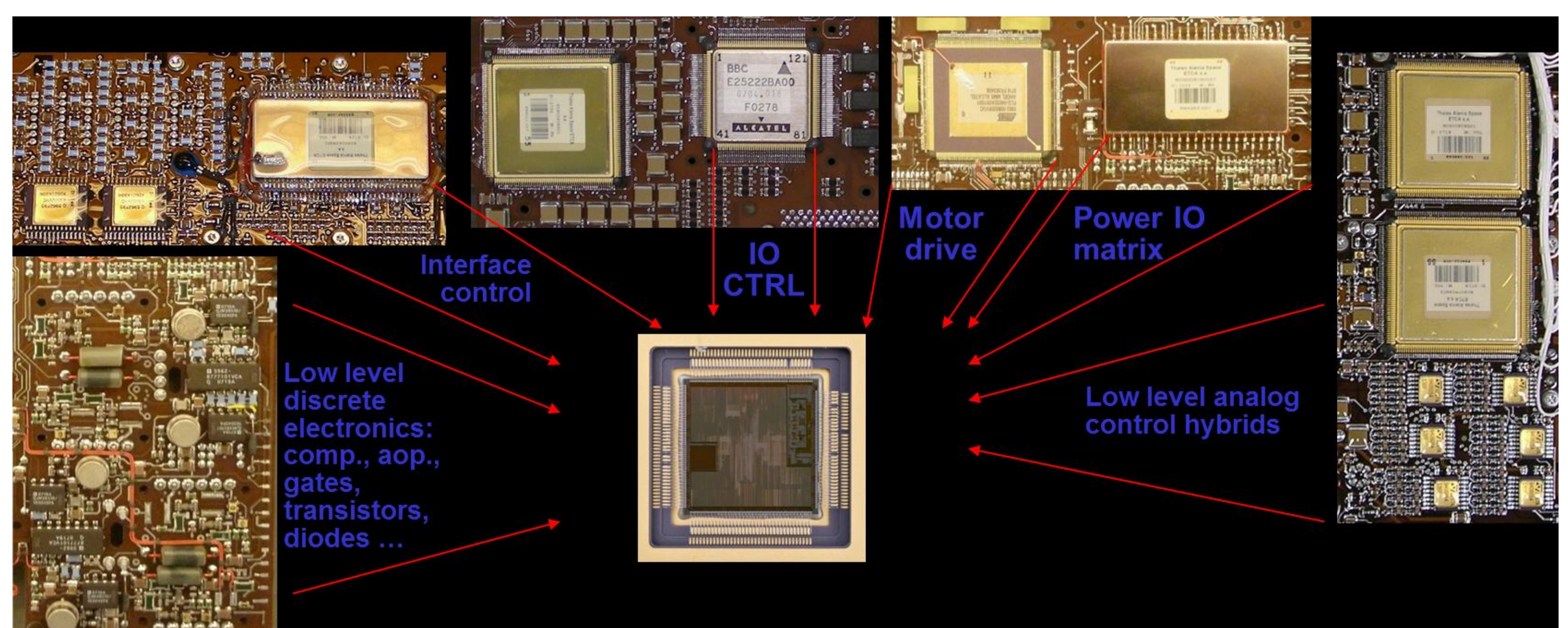
Overview

- On chip : 16bits OpenMSP430 CPU, 42K memory, RC oscillator + 120MHz PLL, LDO + 1.8V, Bandgap, 13bits ADC + input MUX, 12 Bits DAC
- Off chip : E2prom, +3.3V regulator
- DARE on UMC 0,18μ
- CQFP 256 pins



Conclusions

- Generic & versatile : programmable, configurable
- Mixed mode / all analog function on chip
- Rad hard & European



Contact:Thales Alenia Space Belgium:
Marc FOSSION, System Architect, marc.fossion@thalesaleniaspace.com