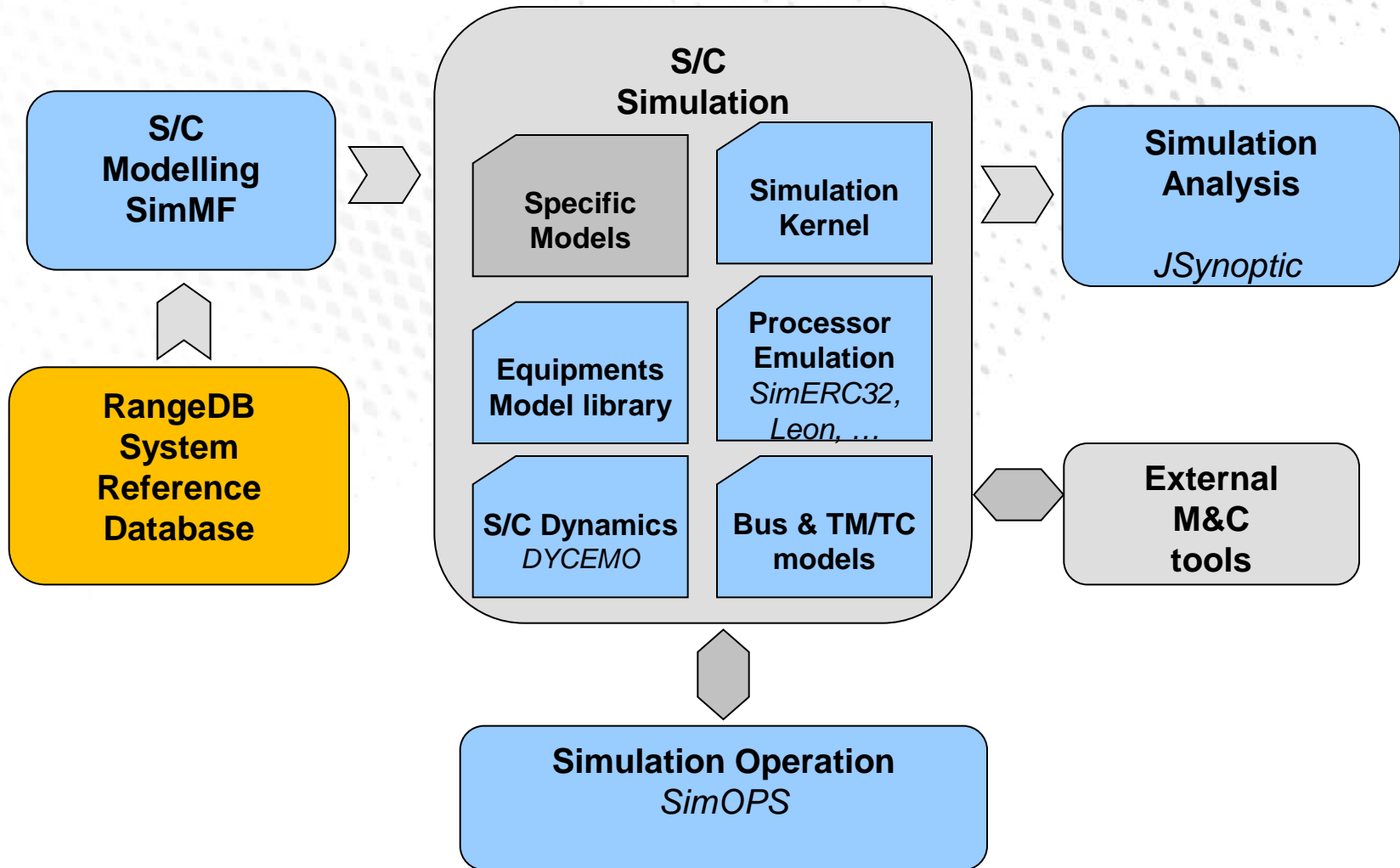


Airbus DS products

Products Overview



SimTG Kernel

Provides generic simulation features

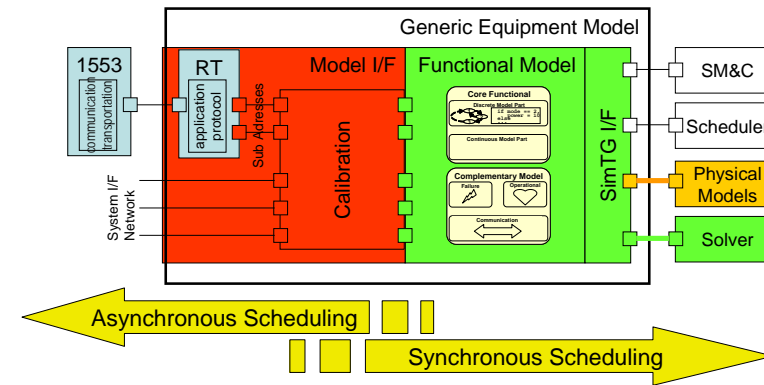
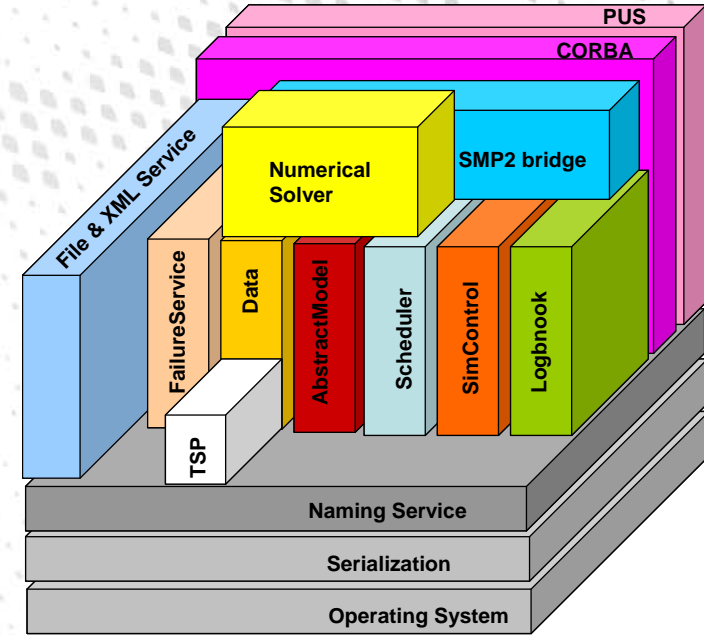
- Scheduler, Time Provider, Timing accuracy
- Logbook
- Save and restore
- Naming service
- Failure injection
- Data sampling

Supported platforms: Windows, Linux

Supported standards: SMP2

Monitoring & Control I/F

- CORBA (with SimOPS)
- PUS-based (with Core EGSE)
- TSP for high-bandwidth data sampling



SimOPS

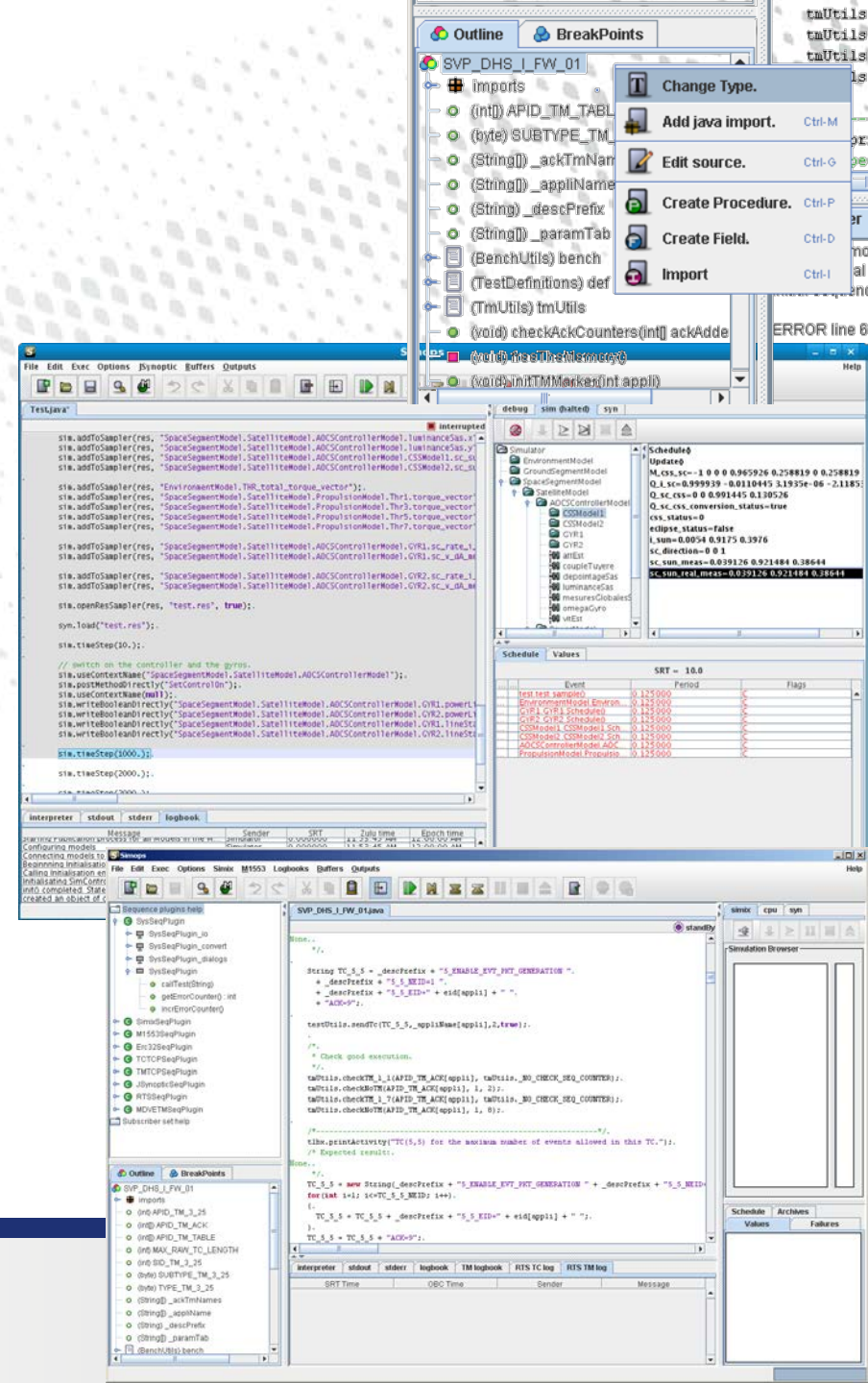
Test environment for simulator
Enhance-able plugin-architecture
Based on Java Language
Definition of test tool-boxes
Different execution schema:

- Interactive mode :Step by step and breakpoints
- Batch mode

Full visibility of simulator data

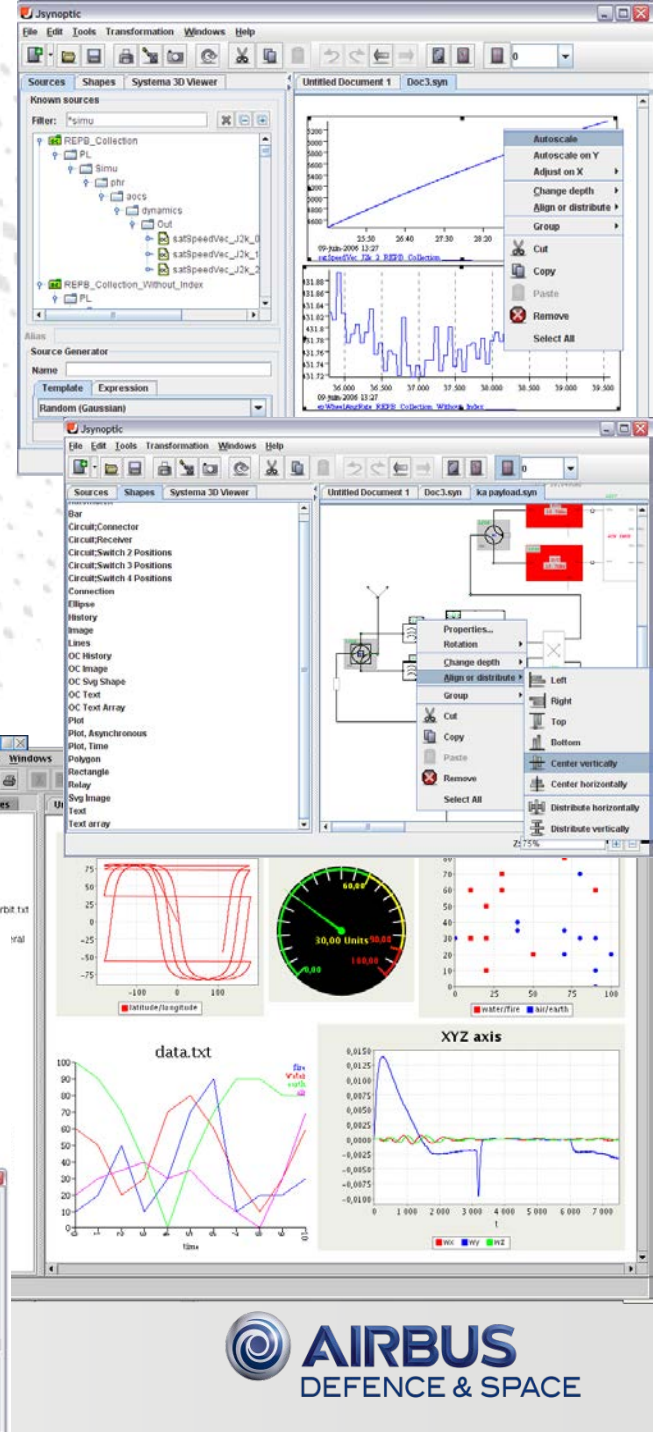
- Models (SimTG kernel plugin)
- 1553 (SimTG m1553 plugin)

Can be combined with JSynoptic
Eclipse based



JSynoptic

- Full-featured data visualization of simulator data
- Stand-alone or integrated in GUI
- Open-plugin driven architecture
- Customizable 2D/3D shape library
- Customization of shape properties
- Online data transformation
- Eclipse plugin



SimMF

Graphical modelling tool

- C++ Code generation
- Word/html Doc generation
- SMP2 artifacts generation (catalogues/assemblies)
- Animation of graphical design with runtime simulation outputs

Asynchronous and synchronous modeling

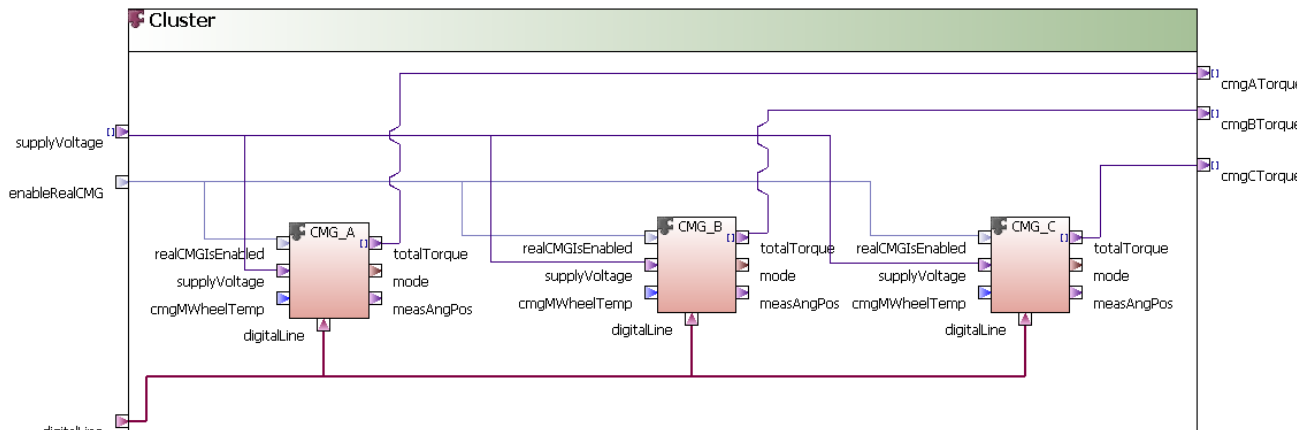
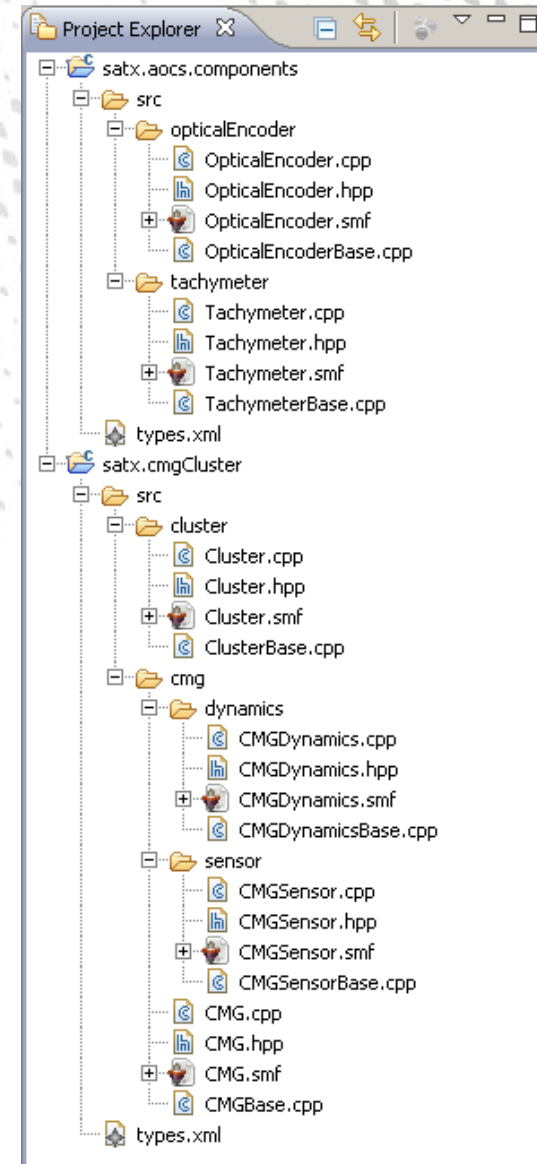
- Data flows, Software interface, System interfaces

Based on eclipse and integrated with :

- CDT for C++ model coding
- JDT : Simops/Java test environment
- Ant compilation chain

Simulation models import features:

- Modelica
- Simulink/Matlab
- SMP2



SimLEON, SimERC32

Software Library for emulation of LEON,
resp. ERC32

Can be linked to simulation model

Allows execution of binary S/W compiled for
the target

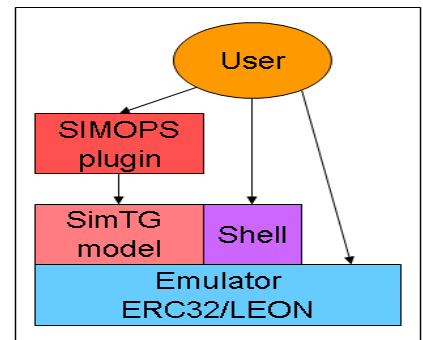
Provides specific features for S/W debugging

Cross-validated timing accuracy:

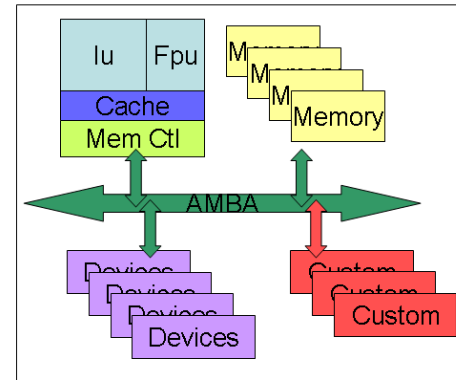
- SimERC32: 95%
- SimLEON: 98% (with cache and pipelining)

Runs on standard Windows or Linux

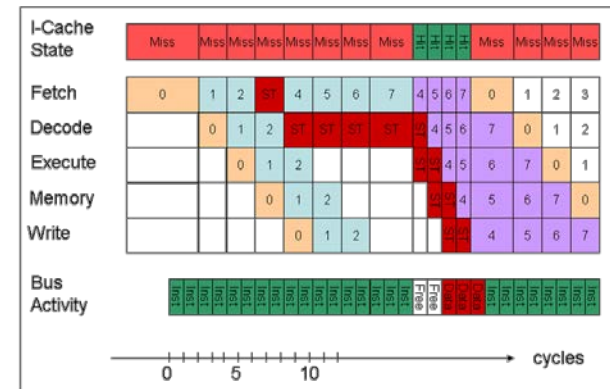
Distributed as C-library with optional
command line utility



Emulator use



LEON internal architecture



LEON2 pipeline activity

This document and its content is the property of Airbus [LufSAS/GmbH] and is strictly confidential. It shall not be communicated to any third party without the written consent of Airbus [LufSAS/GmbH].